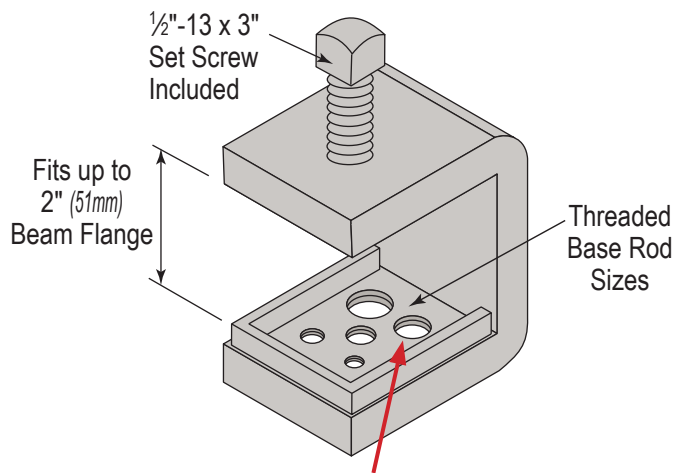


# "HANDI-CLAMP"

ROD SUSPENSION CLAMPS WIDE JAW FITS UP TO 2" THICK BEAM FLANGE




**5 Different  
Base Threads**

## One Clamp For Many Uses

- Heavy Duty  $3/8"$  x  $2"$  Carbon Steel
- Accepts up to  $2"$  Thick Flanges
- Multi-Thread Base allows connection of 5 different Rod Diameters
- Indoor or Outdoor Use
- Finish: Hot Dipped Galvanized

This beam clamp is used with conduit hangers, bridle rings, and threaded rod. W5780 beam clamp is used to hang light, medium or heavy loads from structural beams. Their hardened, cup-point screw and carbon steel body will not distort or slip off the beam edge when tightened. Having a total of FIVE individual base threads always means you've got **"the right clamp"** in your hands. Wide jaw allows attachment to thick beams. Keep some around for those last minute emergencies.

SPECIFYING Brand & Part No.	Threaded Base Rod Size	Set Screw Size	* Max. Design Load for Threaded Base Lbs. (kN)	DISCONTINUED Brands & Part No.	
				VERSABAR	FLORIDA STRUT
					
W5780	$1/4"$ -20	$1/2"$ -13 x 3"	250 (1.11 kN)	VXH1	--
	$5/16"$ -18		650 (2.89 kN)		
	$3/8"$ -16		750 (3.34 kN)		
	$1/2"$ -13		900 (4.00 kN)		
	$5/8"$ -11		1,000 (4.45 kN)		

\* Do not exceed design loading per rod diameter.

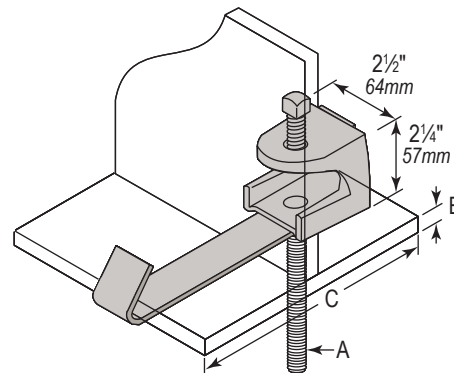
Standard Finish: Electro Galvanized (EG)

## Rod Suspension Beam Clamps with Retainer

Stock Thickness on retainer strap is 14 ga. .075" (1.91)

Set Screw Diameter is 1/2"-13 x 1-1/4"

Includes: Clamp & Set Screw, J-Hook, & 1/2"-13 Hex Head Cap Screw (Threaded rod sold separately).

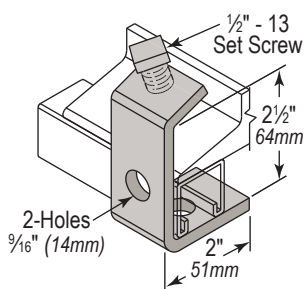


Retainer is supplied flat. Hammer end of retainer up and over beam after clamp is securely attached to beam flange

SPECIFYING Brand & Part No.	Rod Size A	B Beam Thickness	C Flange Width	Design Load lbs (kN)	DISCONTINUED Brands & Part No.	
					VERSABAR	FLORIDA STRUT
W5792-6	1/2"-13	3/8" to 13/16" (9 to 21mm)	4" thru- 6" (102 thru 152mm)	400 (1.8kN)	VX9000	--
W5792-9			7" thru 9" (178 thru 229mm)		VX9001	--
W5792-12			10" thru 12" (254 thru 305mm)		VX9002	--
W5792-15			13" thru 15" (330 thru 381mm)		VX9003	--

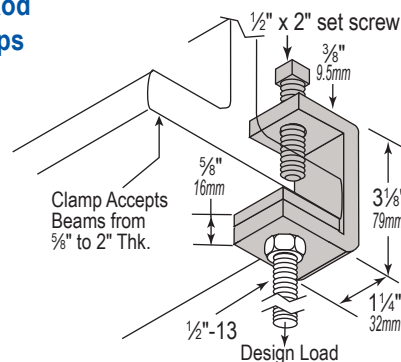
## Strut to Beam Clamp C-Type, Parallel

3/8" 10mm material thickness



SPECIFYING Brand & Part No.	DISCONTINUED Brands & Part No.	
WESANCO	VERSABAR	FLORIDA STRUT
W5714	VX7002AL	BC22

## Heavy Beam 1/2" Rod Suspension Clamps



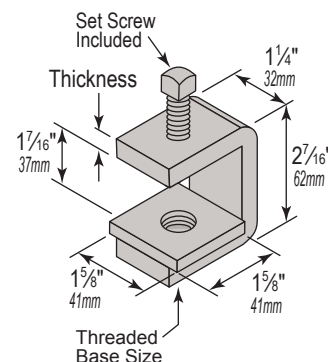
SPECIFYING Brand & Part No.	Design Load	DISCONTINUED Brands & Part No.	
WESANCO		VERSABAR	FLORIDA STRUT
W5707	800 Lbs. (3.56 kN)	VX704450	--

## Heavy Duty Rod Suspension Clamps Wide Jaw fits up to 1-3/8" Thick

Supplied with stainless 18-8 cup point square head set screw.

(Stainless 316 available by special order)

All U.N.C course threads



SPECIFYING Brand & Part No.	Threaded Base Rod Size	Set Screw Size	Clamp Thickness	* Max. Design Load for Threaded Base Lbs. (kN)	DISCONTINUED Brands & Part No.	
					VERSABAR	FLORIDA STRUT
W5746	1/4"-20	3/8"-16 x 2"	1/4" (6mm)	250 (1.11 kN)	VX7070A	--
W5747	3/8"-16	1/2"-13 x 2"	3/8" (10mm)	750 (3.34 kN)	VX7070B	--
W5748	1/2"-13	1/2"-13 x 2"		1,130 (5.03 kN)	VX7070C	--
W5749	5/8"-11	5/8"-11 x 2"		1,130 (5.03 kN)	VX7070D	--

\* Do not exceed design loading per rod diameter.  
Load for Clamp base threaded rod suspended downward