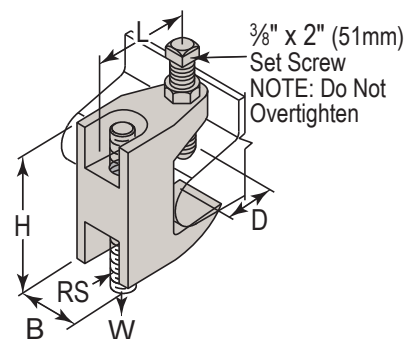


WIDE MOUTH BEAM CLAMPS

UNIVERSAL BEAM CLAMPS

Wide Mouth Malleable Iron Universal Beam Clamps

- Material: Malleable Iron
- Finish: Plain (PL), or Electrogalvanized (EG)
- Maximum flange thickness of 1-1/16" (27mm)



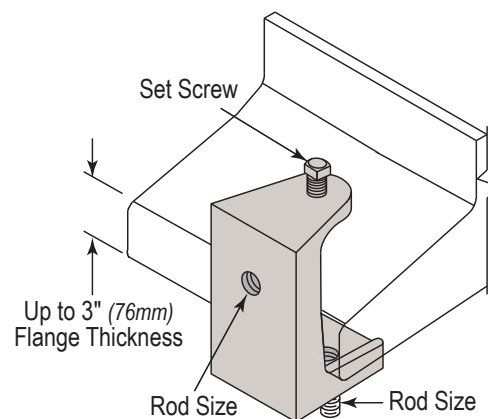
SPECIFYING Brand & Part No.	Rod Size (RS)	Max Load W lbs	Max Pipe Size	B	L	H	D	DISCONTINUED Brands & Part No.	
								VERSABAR	FLORIDA STRUT
WESANCO BC81037	3/8" - 16	400 (1.78kN)	4" (102mm)	7/8" (22mm)	1 3/8" (35mm)	2" (51mm)	1/2" (13mm)	--	BC810037
BC81050	1/2" - 13	500 (2.22kN)		--	BC810050				
BC81062	5/8" - 11			1/4" (32mm)	1 7/8" (48mm)	2 3/8" (60mm)	5/8" (16mm)	--	BC810062

Wide Mouth Rod Suspension Beam Clamps Accepts up to 3" Thick Flanges

- Material: Malleable Iron
- Finish: Bright Zinc
- Maximum flange thickness of 3" (76mm)

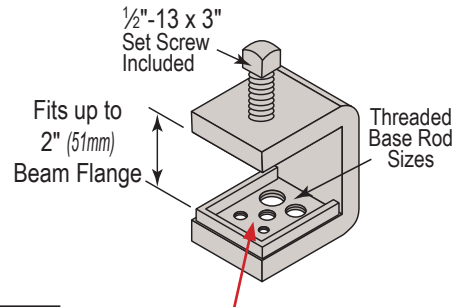


SPECIFYING Brand & Part No.	Rod Size	Set Screw Size	Max Work Load lbs kN	DISCONTINUED Brands & Part No.	
				VERSABAR	FLORIDA STRUT
WESANCO BC9325	1/4"-20	5/16"-18 x 2 1/2"	200 (0.89kN)	VX9004WM	--
BC9337	3/8"-16	3/8"-16 x 2 1/2"	300 (1.33kN)	VX9005WM	--
BC9350	1/2"-13	1/2"-13 x 2 1/2"	400 (1.78kN)	VX9006WM	--



“Handi-Clamp” Rod Suspension Clamps Wide jaw fits up to 2" thick beam flange

This beam clamp is used with conduit hangers, bridle rings, and threaded rod. VXH1 beam clamp is used to hang light, medium or heavy loads from structural beams. Their hardened, cup-point screw and carbon steel body will not distort or slip off the beam edge when tightened. Having a total of FIVE individual base threads always means you've got "the right clamp" in your hands. Wide jaw allows fitment to thick beams. Hot dipped finish is suitable for indoor or out door use.



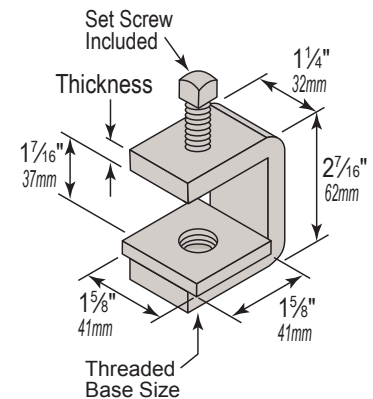
5 Different Base Threads

SPECIFYING Brand & Part No.	Threaded Base Rod Size	Set Screw Size	* Max. Design Load for Threaded Base Lbs. (kN)	DISCONTINUED Brands & Part No.	
				VERSABAR	FLORIDA STRUT
WESANCO W5780	1/4"-20	1/2"-13 x 3"	250 (1.11 kN)	VXH1	--
	5/16"-18		650 (2.89 kN)		
	3/8"-16		750 (3.34 kN)		
	1/2"-13		900 (4.00 kN)		
	5/8"-11		1,000 (4.45 kN)		

* Do not exceed design loading per rod diameter.

Heavy Duty Rod Suspension Clamps Wide Jaw fits up to 1-3/8" Thick

Stainless Steel Type 316
Supplied with stainless 18-8 cup point square head set screw.
(Stainless 316 available by special order)
All U.N.C course threads



SPECIFYING Brand & Part No.	Threaded Base Rod Size	Set Screw Size	Clamp Thickness	* Max. Design Load for Threaded Base Lbs. (kN)	DISCONTINUED Brands & Part No.	
					VERSABAR	FLORIDA STRUT
WESANCO W5746	1/4"-20	3/8"-16 x 2"	1/4" (6mm)	250 (1.11 kN)	VX7070A	--
W5747	3/8"-16	1/2"-13 x 2"	3/8" (10mm)	750 (3.34 kN)	VX7070B	--
W5748	1/2"-13	1/2"-13 x 2"		1,130 (5.03 kN)	VX7070C	--
W5749	5/8"-11	5/8"-11 x 2"		1,130 (5.03 kN)	VX7070D	--

* Do not exceed design loading per rod diameter.
Load for Clamp base threaded rod suspended downward