



# WESANCO

# ZSI

## ALPHA SERIES™ U-BOLT

### WIDEST TEMPERATURE RANGE ON THE MARKET

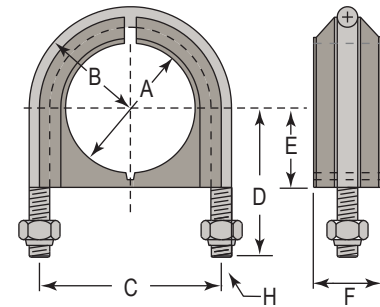
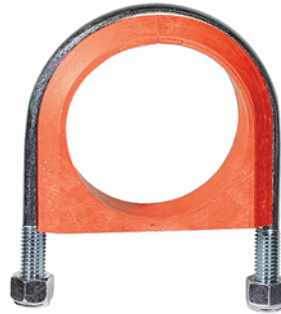
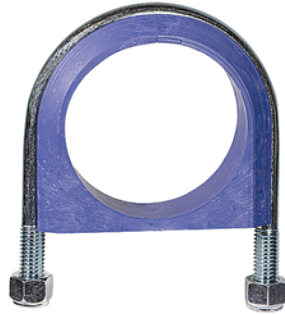
Designed for the tough jobs, the **Alpha Series™** U-Bolt Assembly secures pipe runs to any flat surface. The cushion design provides total load distribution, allowing the U-Bolt to become a full contact hanger, eliminating knife-edge loading. The U-Bolt traps and secures the cushion in place to prevent lateral movement, while nylon insert locknuts provide a positive lock.

Alpha Series™ U-Bolt Assembly conforms to MIL-S-901D for shock testing.

Standard

Extreme Temp (HT)

High Intensity Temp (HIT)



-50°F to 275°F  
(-45°C to 135°C)

-65°F to 340°F  
(-53°C to 170°C)

-65°F to 400°F  
(-53°C to 204°C)

1/2" thru 6" assembly

Assembly Part No.			Tube Size (O.D.)	Dimensions (Inches)						H Bolt Size	Torque	Design Load Lbs. (kN)	Slip Thru
Standard Black	Extreme Blue	High Intensity Temp		A Dia.	B Radius	C	D	E	F				
UB7/8TA	HTUB7/8TA	HITUB7/8TA	7/8"	0.875" (22mm)	0.80" (20mm)	1.60" (41mm)	1.50" (38mm)	0.67" (17mm)	0.68" (17mm)	1/4"-20 UNC-2B	100	485 (2.16 kN)	500
UB1TA	HTUB1TA	HITUB1TA	1"	1.00" (25mm)	0.90" (23mm)	1.80" (46mm)	1.60" (41mm)	0.78" (20mm)	0.68" (17mm)	1/4"-20 UNC-2B			500
UB11/4TA	HTUB1-1/4TA	HITUB1-1/4TA	1-1/4"	1.25" (32mm)	1.02" (26mm)	2.05" (52mm)	1.70" (43mm)	0.91" (23mm)	0.68" (17mm)	1/4"-20 UNC-2B			500
UB13/8TA	HTUB1-3/8TA	HITUB1-3/8TA	1-3/8"	1.375" (35mm)	1.02" (26mm)	2.05" (52mm)	1.70" (43mm)	0.91" (23mm)	0.68" (17mm)	1/4"-20 UNC-2B			500
UB2TA	HTUB2TA	HITUB2TA	2"	2.00" (51mm)	1.40" (36mm)	2.80" (71mm)	2.20" (56mm)	1.19" (30mm)	1.24" (31mm)	3/8"-16 UNC-2B	150	1,220 (5.43 kN)	500
UB3TA	HTUB3TA	HITUB3TA	3"	3.00" (76mm)	1.95" (50mm)	3.90" (99mm)	3.00" (76mm)	1.69" (43mm)	1.24" (31mm)	1/2"-13 UNC-2B	200	2,260 (10.05 kN)	500
UB4TA	HTUB4TA	HITUB4TA	4"	4.00" (102mm)	2.52" (64mm)	5.05" (128mm)	3.70" (94mm)	2.25" (57mm)	1.24" (31mm)	1/2"-13 UNC-2B			500
UB5TA	HTUB5TA	HITUB5TA	5"	5.00" (127mm)	3.25" (83mm)	6.56" (167mm)	4.50" (114mm)	3.03" (77mm)	1.24" (31mm)	1/2"-13 UNC-2B			500
UB6TA	HTUB6TA	HITUB6TA	6"	6.00" (152mm)	3.87" (98mm)	7.75" (197mm)	5.40" (137mm)	3.56" (90mm)	1.44" (37mm)	5/8"-11 UNC-2B			250

See next page for Suffix Material Codes

Wesanco-ZSi.com | 800-323-7053

ZSi & Wesanco are part of the Ideal Tridon Group. Learn more at [idealtridongroup.com](http://idealtridongroup.com)



Plumbing Contractors | Ship Builders | Commercial Contractors | Manufacturing



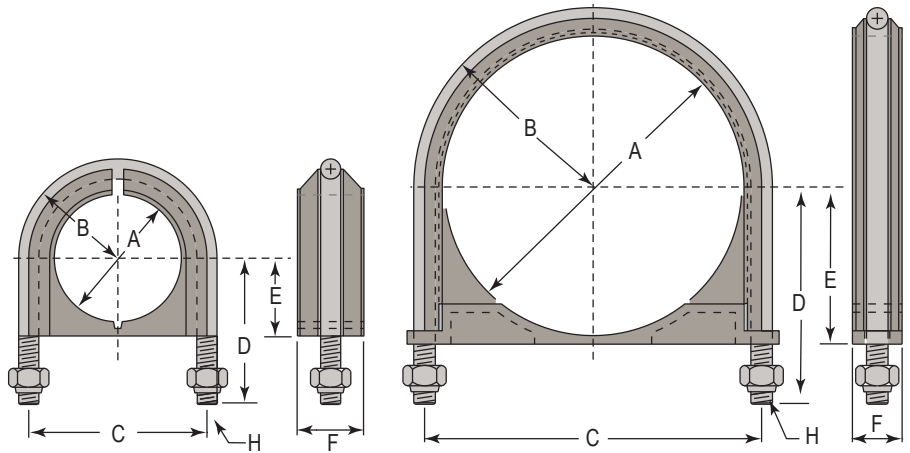
**Standard**  
-50°F to 275°F  
(-45°C to 135°C)



**Extreme Temp (HT)**  
-65°F to 340°F  
(-53°C to 170°C)



**High Intensity Temp (HIT)**  
-65°F to 400°F  
(-53°C to 204°C)



1/2" thru 6" assembly

8" thru 12" assembly – Two piece cushion design

Assembly Part No.			Pipe Size (Nom.)	Dimensions (Inches)							Torque	Design Load Lbs. (kN)	Slip Thru
Standard Black	Extreme Blue	High Intensity Temp		A Dia.	B Radius	C	D	E	F	H			
UB1/2PA	HTUB1/2PA	HITUB1/2PA	1/2"	0.840" (21mm)	0.80" (20mm)	1.60 (41mm)	1.50" (38mm)	0.67" (17mm)	0.68" (17mm)	1/4"-20 UNC-2B	100	485 (2.16 kN)	500
UB3/4PA	HTUB3/4PA	HITUB3/4PA	3/4"	1.05" (27mm)	0.90" (23mm)	1.80 (46mm)	1.60" (41mm)	0.78" (20mm)	0.68" (17mm)	1/4"-20 UNC-2B			500
UB1PA	HTUB1PA	HITUB1PA	1"	1.31" (33mm)	1.02" (26mm)	2.05 (52mm)	1.70" (43mm)	0.91" (23mm)	0.68" (17mm)	1/4"-20 UNC-2B			500
UB1-1/4PA	HTUB1-1/4PA	HITUB1-1/4PA	1-1/4"	1.66" (42mm)	1.27" (32mm)	2.55 (65mm)	2.10" (53mm)	1.08" (27mm)	1.24" (31mm)	3/8"-16 UNC-2B	150	1,220 (5.43 kN)	500
UB1-1/2PA	HTUB1-1/2PA	HITUB1-1/2PA	1-1/2"	1.90" (48mm)	1.40" (36mm)	2.80 (71mm)	2.20" (56mm)	1.19" (30mm)	1.24" (31mm)	3/8"-16 UNC-2B			500
UB2PA	HTUB2PA	HITUB2PA	2"	2.37" (60mm)	1.67" (42mm)	3.35 (85mm)	2.50" (64mm)	1.45" (37mm)	1.24" (31mm)	3/8"-16 UNC-2B			500
UB2-1/2PA	HTUB2-1/2PA	HITUB2-1/2PA	2-1/2"	2.87" (73mm)	1.95" (50mm)	3.90 (99mm)	3.00" (76mm)	1.69" (43mm)	1.24" (31mm)	1/2"-13 UNC-2B	200	2,260 (10.05 kN)	500
UB3PA	HTUB3PA	HITUB3PA	3"	3.50" (89mm)	2.27" (58mm)	4.55 (116mm)	3.30" (84mm)	2.00" (51mm)	1.24" (31mm)	1/2"-13 UNC-2B			500
UB3-1/2PA	HTUB3-1/2PA	HITUB3-1/2PA	3-1/2"	4.00" (102mm)	2.52" (64mm)	5.05 (128mm)	3.70" (94mm)	2.25" (57mm)	1.24" (31mm)	1/2"-13 UNC-2B			500
UB4PA	HTUB4PA	HITUB4PA	4"	4.50" (114mm)	3.00" (76mm)	5.50 (140mm)	3.90" (99mm)	2.50" (64mm)	1.24" (31mm)	1/2"-13 UNC-2B	250	3,620 (16.10 kN)	500
UB5PA	HTUB5PA	HITUB5PA	5"	5.56" (141mm)	3.25" (83mm)	6.56 (167mm)	4.50" (114mm)	3.03" (77mm)	1.24" (31mm)	1/2"-13 UNC-2B			500
UB6PA	HTUB6PA	HITUB6PA	6"	6.62" (168mm)	3.87" (98mm)	7.75 (197mm)	5.40" (137mm)	3.56" (90mm)	1.44" (37mm)	5/8"-11 UNC-2B			500
UB8PA	HTUB8PA	HITUB8PA	8"	8.62" (219mm)	4.85" (123mm)	9.82 (249mm)	6.40" (163mm)	4.56" (116mm)	1.44" (37mm)	5/8"-11 UNC-2B	275	5,420 (25.11 kN)	500
UB10PA	HTUB10PA	HITUB10PA	10"	10.75" (273mm)	6.08" (154mm)	12.16 (309mm)	7.70" (196mm)	5.68" (144mm)	1.65" (42mm)	3/4"-10 UNC-2B			500
UB12PA	HTUB12PA	HITUB12PA	12"	12.75" (324mm)	7.13" (181mm)	14.25 (362mm)	8.7" (221mm)	6.68" (170mm)	1.65" (42mm)	3/4"-10 UNC-2B			500
▼ SUFFIX			Clamp		Cushion				Example				
NONE			Electro-galvanized		Thermoplastic elastomer				UB1/2PA				
6			Stainless Steel, Type 316		Thermoplastic elastomer				UB1/2PA6				
N6	-	-	Stainless Steel, Type 316						UB1/2PAN6				
N	-	-	Electro-galvanized						UB1/2PAN				
NH	-	-	Electro-galvanized						UB1/2PANH				
NH6	-	-	Stainless Steel, Type 316						UB1/2PANH6				